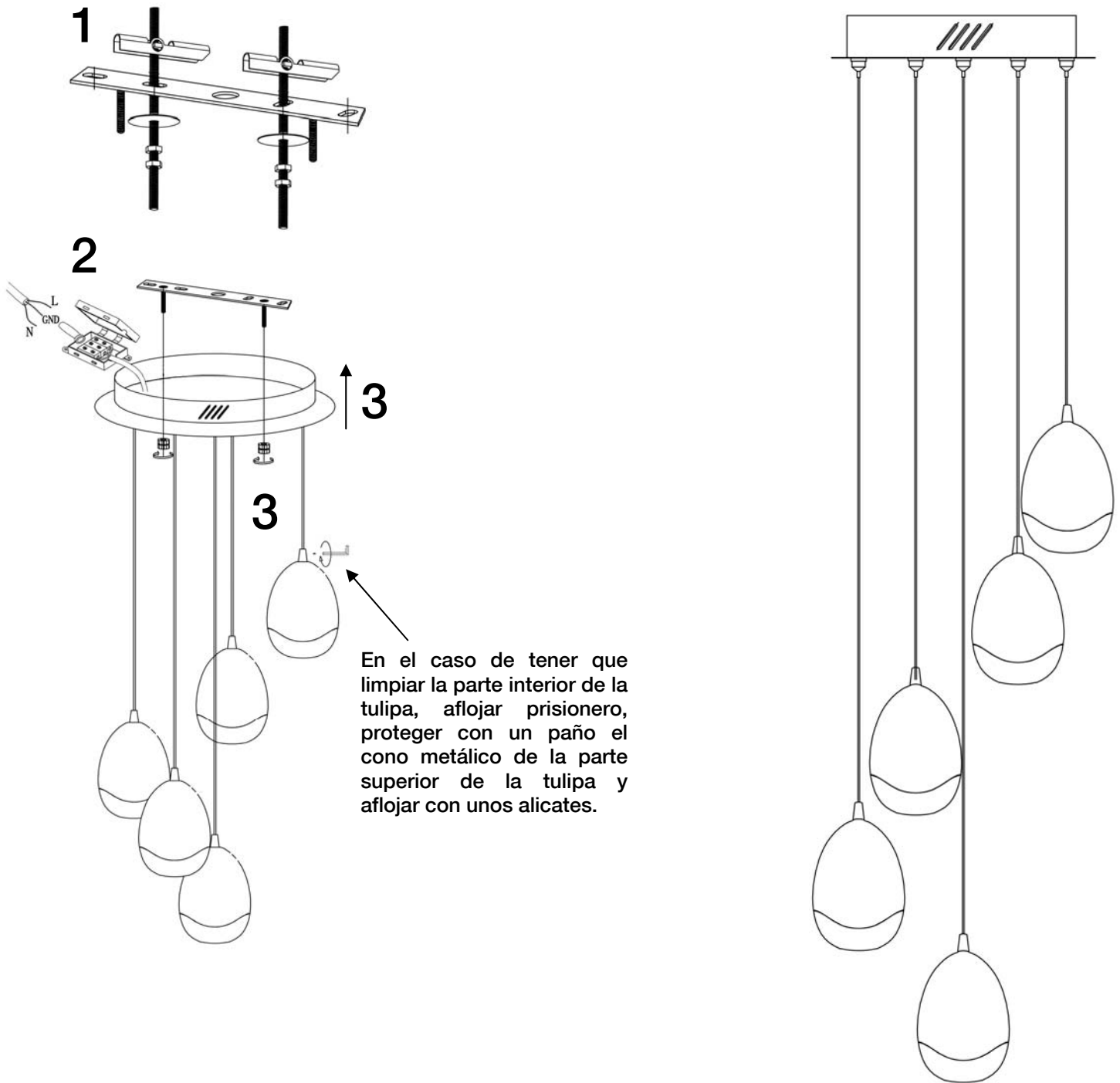


ATENCIÓN: Schuller recomienda que utilice los balancines suministrados en la instalación de esta lámpara.

**ATENCIÓN**

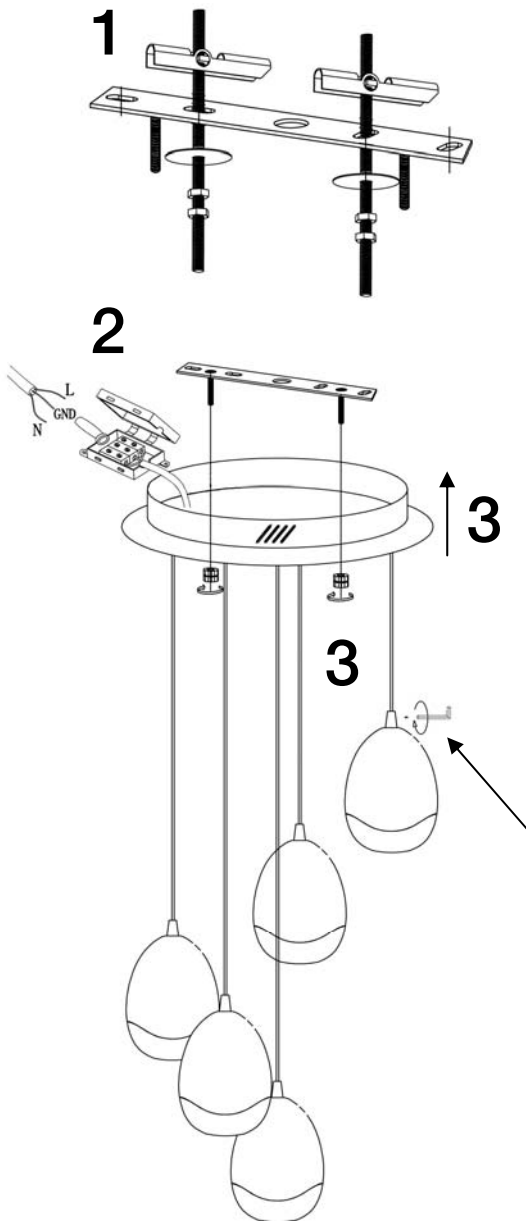
Este producto incluye drivers led con dimado de 0-10V o PWM. Para utilizar con regulador de pared, usar sólo dimmers de estos dos tipos de regulación. Otro tipo de dimado dañaría el driver led. Será necesario realizar el cableado para conectar el regulador de pared a las bornas +-dim del driver led.

Si no quiere realizar dicho cableado, pregunte por nuestra versión con dimado por mando a distancia.

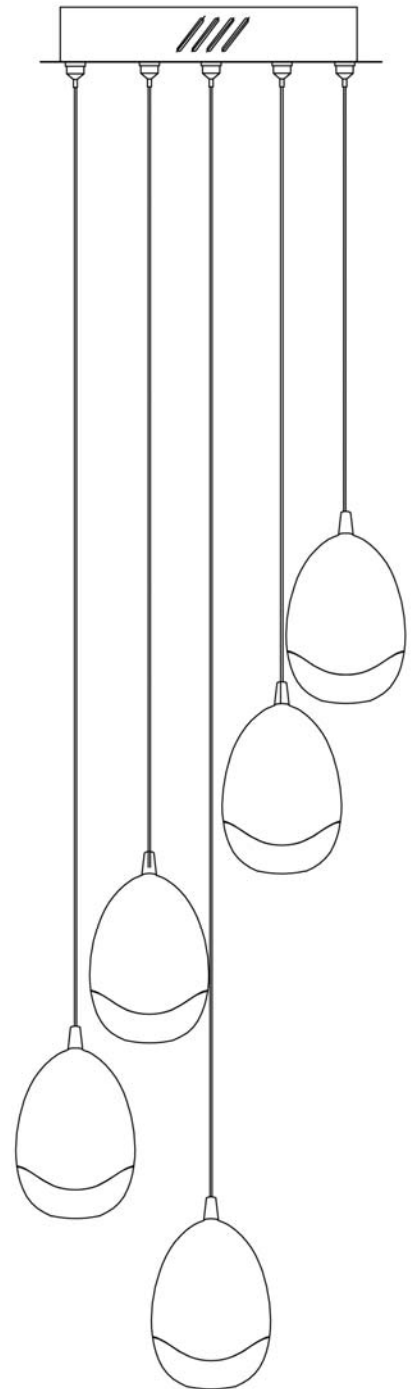
Para ver la ficha técnica de producto completa, puede usar el siguiente código QR:



ATTENTION: Schuller recommends to use included special screws when installing this lamp.



In case you need to clean the inside of the glass shade, loose the set screw and protect the metallic cone on the top with a cloth and ease it with pliers.

**WARNING**

This product includes LED drivers with 0-10V or PWM dimming. To use it with wall dimmer, use just this type of dimmers. Any other type would damage the LED driver. It will be necessary to carry out the wiring to connect the wall dimmer to the +-dim of the led driver.

If you do not want to carry out this wiring, enquiry four our dimmable by remote control version.

You may use the following QR code to view the complete technical data sheet of the product:



If you have any technical questions, please do not hesitate to contact our technical Department.
We are at your disposal in our email: export@schuller.es